



Trimble AV39 Antenna

TSO CERTIFIED ANTENNA FOR AIRBORNE MAPPING AND SURVEYING APPLICATIONS

The Trimble AV39 antenna is a lightweight, TSO certified antenna. It provides centimeter precision with superior phase center repeatability.

COMPREHENSIVE GNSS SUPPORT

The Trimble AV39 antenna offers full support for current and near-future GNSS signals including GPS, GLONASS, Galileo, BeiDou, QZSS, IRNSS, OmniSTAR, Trimble RTX and SBAS.

ROBUST, LOW-MULTIPATH GPS ANTENNA

Mapping and surveying from the air using GNSS requires survey grade antenna technology in a compact and reliable form factor. The Trimble AV39 antenna achieves high precision and accuracy without compromising on weight and size.

Key Features

- ▶ Comprehensive GNSS support including GPS modernization signals, GLONASS, BeiDou, Galileo, QZSS and IRNSS
- ▶ TSO certified for airborne installations
- ▶ Low-profile design and ARINC 743 Footprint
- ▶ SBAS, L-Band support
- ▶ Iridium interference protection



Trimble AV39 GNSS Antenna

TECHNICAL SPECIFICATIONS

- Comprehensive GNSS Tracking:
 - GPS: L1, L2, L5
 - GLONASS: L1, L2, L3
 - Galileo: E1, E5a, E5b
 - BeiDou: B1, B2
 - QZSS: L1, L2, L5
 - IRNSS: L5
 - SBAS: WAAS, EGNOS, GAGAN, and MSAS
 - MSS: OmniSTAR, Trimble RTX
- Quality signal tracking
- TNC female signal connector
- Small cross-sectional area to reduce aerodynamic drag
- Integral low noise amplifier
- Powered by GNSS receiver via coaxial cable
- High gain for reliable tracking in difficult environments
- FAA certificate supplied with each antenna
- Iridium interference protection

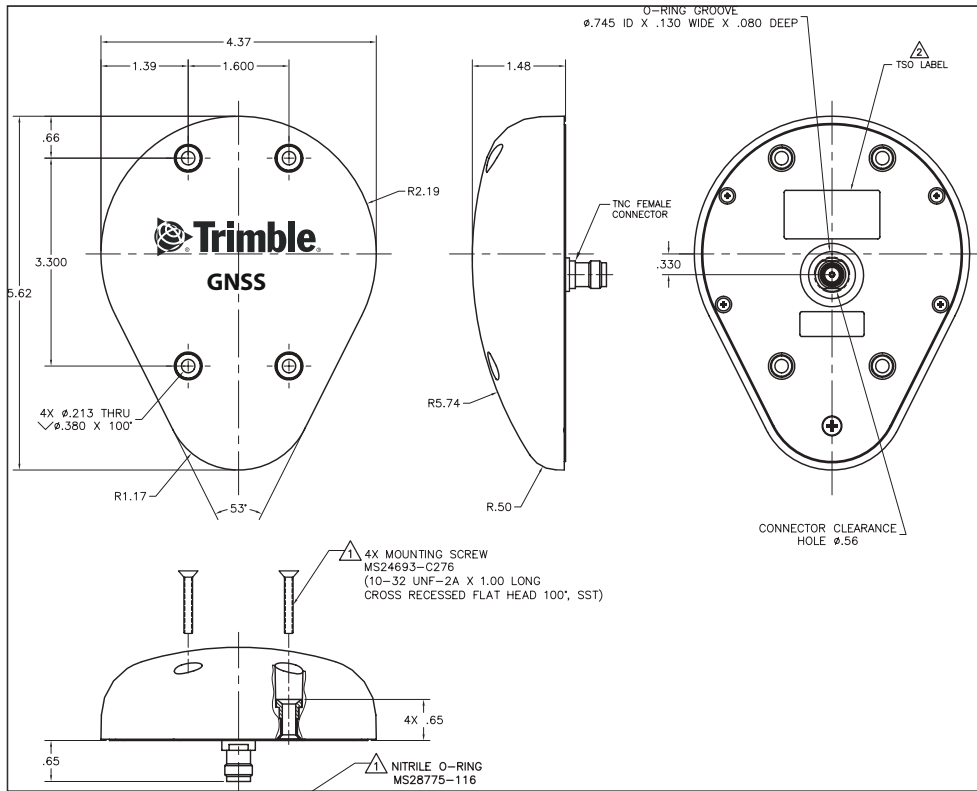
PART NUMBERS

- 105728 (US) Trimble AV39 Antenna
- 105728-10 Trimble AV39 Antenna (Non-US Orders)

PHYSICAL AND ELECTRICAL SPECIFICATIONS

Dimensions . . .	14.27 cm length, 11.10 cm width, 3.76 cm height
	5.62" length, 4.37" width, 1.48" height
Weight	0.386 kg (0.85 lbs)
Operating Temperature . . .	-55 °C to +70 °C (-67 °F to +158 °F)
Altitude	≤ 16,764 m (55,000 ft)
Finish	UV Resistant white radome with aluminum base
Designed to	DO-160E
	ARINC 743 Footprint
	RTCA DO-210D
TSO	Incomplete TSO-C132
Frequencies	1525-1610 MHz
	1160-1252 MHz
Signal gain	38 dB
Voltage	4.2 to 15.0 VDC
Polarization	Right Hand Circular
Axial Ratio	3 dB Max @ boresight
Amplifier Noise Figure	3.5 dBMax
Impedance	50 Ohms
	VSWR : ≤ 2.0:1

Specifications subject to change without notice.



Contact your local dealer today

TRIMBLE
 Integrated Technologies
 510 DeGuigne Drive
 Sunnyvale, CA 94085
 Americas & Asia-Pacific
 Europe/EMEA

Email: sales-intech@trimble.com

© 2019, Trimble Navigation Limited. All rights reserved. Trimble logo are trademarks of Trimble, registered in the United States and in other countries. All other trademarks are the property of their respective owners. (08/19)