



Trimble LV59 Antenna

HIGH PRECISION ANTENNA FOR LAND APPLICATIONS

The Trimble LV59 GNSS antenna is designed for various ground based applications. It supports centimeter-level accuracy through superior phase center stability and signal filtering.

COMPREHENSIVE GNSS SUPPORT

The Trimble LV59 antenna offers full support for current and near-future GNSS signals including GPS, GLONASS, Galileo, BeiDou, QZSS, IRNSS, OmniSTAR, Trimble RTX and SBAS.

ROBUST, LOW-MULTIPATH GPS ANTENNA

The LV59 antenna offers robust signal tracking. Coupled with advanced signal filtering to minimize multipath, the LV59 antenna is capable of delivering a centimeter-level solution.

Key Features

- ▶ Comprehensive GNSS support including GPS modernization signals, GLONASS, BeiDou, Galileo, QZSS and IRNSS
- ▶ SBAS, L-Band support
- ▶ 5/8" x 11 Mounting



Trimble LV59 Antenna

TECHNICAL SPECIFICATIONS

- Comprehensive GNSS Tracking:
 - GPS: L1, L2, L5
 - GLONASS: L1, L2, L3
 - Galileo: E1, E5a, E5b
 - BeiDou: B1, B2
 - QZSS: L1, L2, L5
 - IRNSS: L5
 - SBAS: WAAS, EGNOS, GAGAN, and MSAS
 - MSS: OmniSTAR, Trimble RTX
- 5/8" x 11 UNC female threaded aluminum mounting point

ENVIRONMENTAL QUALIFICATIONS

Conditions	DO-160D Section	String Category	Description
Temperature Variation	5	A	-55 °C to +85 °C 10° /min, 2 cycles
Humidity	-	Method 507.4	MIL-STD-810-F
Shock	-	Method 516.5	MIL-STD-818-F Procedure II
Vibration	-	516.5C.3	MIL-STD-810-F, Section 514.5 CVII

PHYSICAL AND ELECTRICAL SPECIFICATIONS

Dimensions 14.60 cm diameter x 6.25 cm height
(5.75 in diameter x 2.46 in height)

Weight 0.48 Kg (1.06 lb)

Operating Temperature .. -40 °C to +85 °C (-40 °F to +185 °F)

Altitude <16,764 m (55,000 ft)

Finish UV resistant white radome
with aluminum base

ComplianceROHS

Signal gain39 dB

Voltage 4.2 V DC to 15 V DC

Polarization Right Hand Circular

Axial Ratio 3 dB Max @ boresight

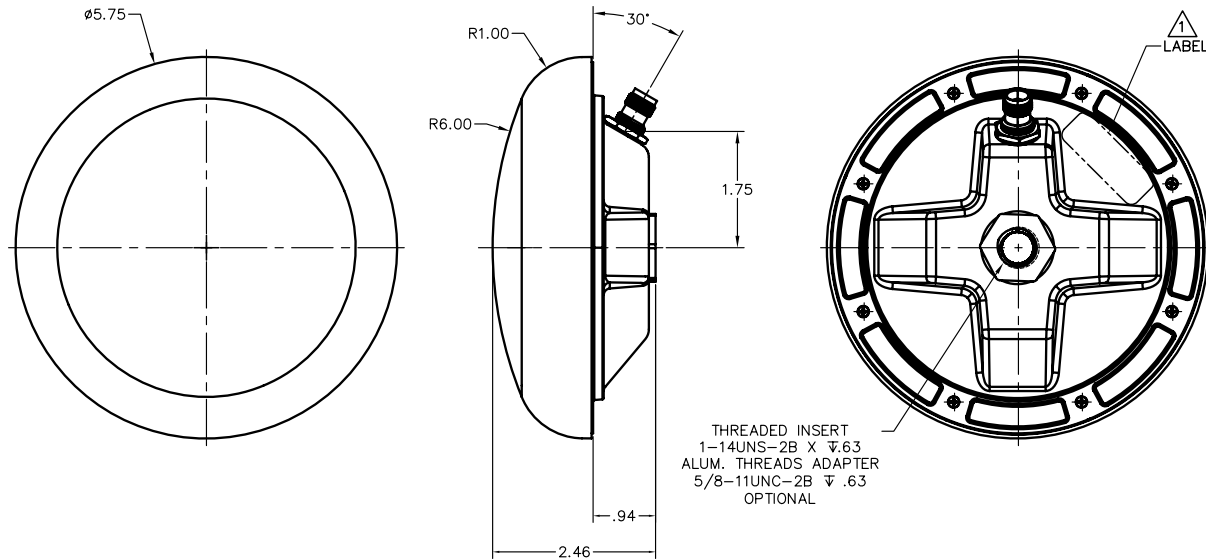
Amplifier Noise Figure 2.6 dBMax

Impedance 50 Ohms
VSWR : ≤ 2.0:1

PART NUMBER

C03167 Trimble LV59 Antenna

Specifications subject to change without notice.



TRIMBLE
Worldwide
Integrated Technologies
510 DeGuigne Drive
Sunnyvale, CA 94085

Email: sales-intech@trimble.com